

# Repeater panel BS-211

## Autroprime Interactive Fire Detection System

### Product datasheet

#### Features

- User-friendly display and operator controls
- Backlit operating buttons. Text display suitable for night-time operation
- Surface mounting
- Designed to meet EN-54 requirements, and conforms to CE standards
- Complies with environmental conditions of IEC-721-3-3 class 3k5

#### Application/Description

Repeater Panel BS-211 is identical (with the exception of an alphanumeric keypad) to the operator panel BS-210, which is an integrated part of the Fire Alarm Control Panel BS-200. All alarm handling and system features can be controlled and monitored from the panel. Configuration is not possible.

The panel is intended for the following purposes:

- Read information on events
- Accept events
- Read events in the log

The panel is menu operated on a 8-line display, with 40 characters per line.

The BS-211 panel communicates with the Fire Alarm Control Panel BS-200, information Panels BV-210, other Repeater Panels BS-211, Fire Brigade Panels BU-210 and Mimic Drivers BUR-200 on an RS-485 panel bus.

#### Indicators

- 8 x 40 character alphanumeric display
- Alarm, More alarms, Pre-alarm, Remote call, Remote condition, Test condition, System fault, Power, Delayed activation, Annunciator disabled, Remote call disabled
- Internal buzzer

#### Operator Controls

- More events, Mute panel, Silence, Reset, Prolong delay. Activate outputs
- Keypad with navigational functions (cancel/back, enter, directional keys (arrow up/down and left/right), Function and select (MultiSelect) key
- Back-lit buttons and text
- Fireman's key



#### Capacity

- A maximum of 8 additional panels can be freely mixed and connected to the Fire Alarm Panel via the RS-485 Panel Bus, including Repeater Panels BS-211, Information Panels BV-210, Fire brigade Panels BU-210 and Mimic Drivers BUR-200

#### Panel Bus Connection (connector J13 and J14)

J14						J13							
+24V in1	0V in1	+24V in2	0V in2	A1	B1	GND	+24V in1	0V in1	+24V in2	0V in2	A2	B2	GND
Panel Bus In						Panel Bus Out							

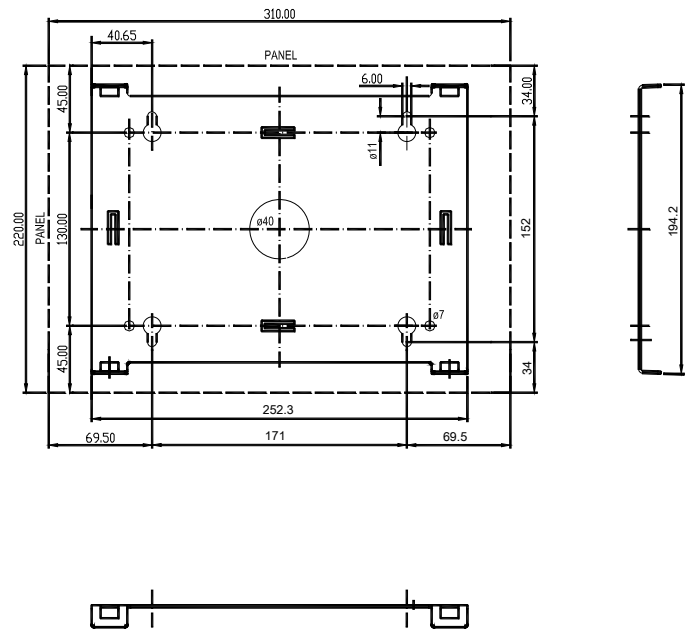
#### Addressing the panel

The rotary switch on the rear side of the panel (on the left side of the connector J13 and J14) is used to address the panel (1-9).

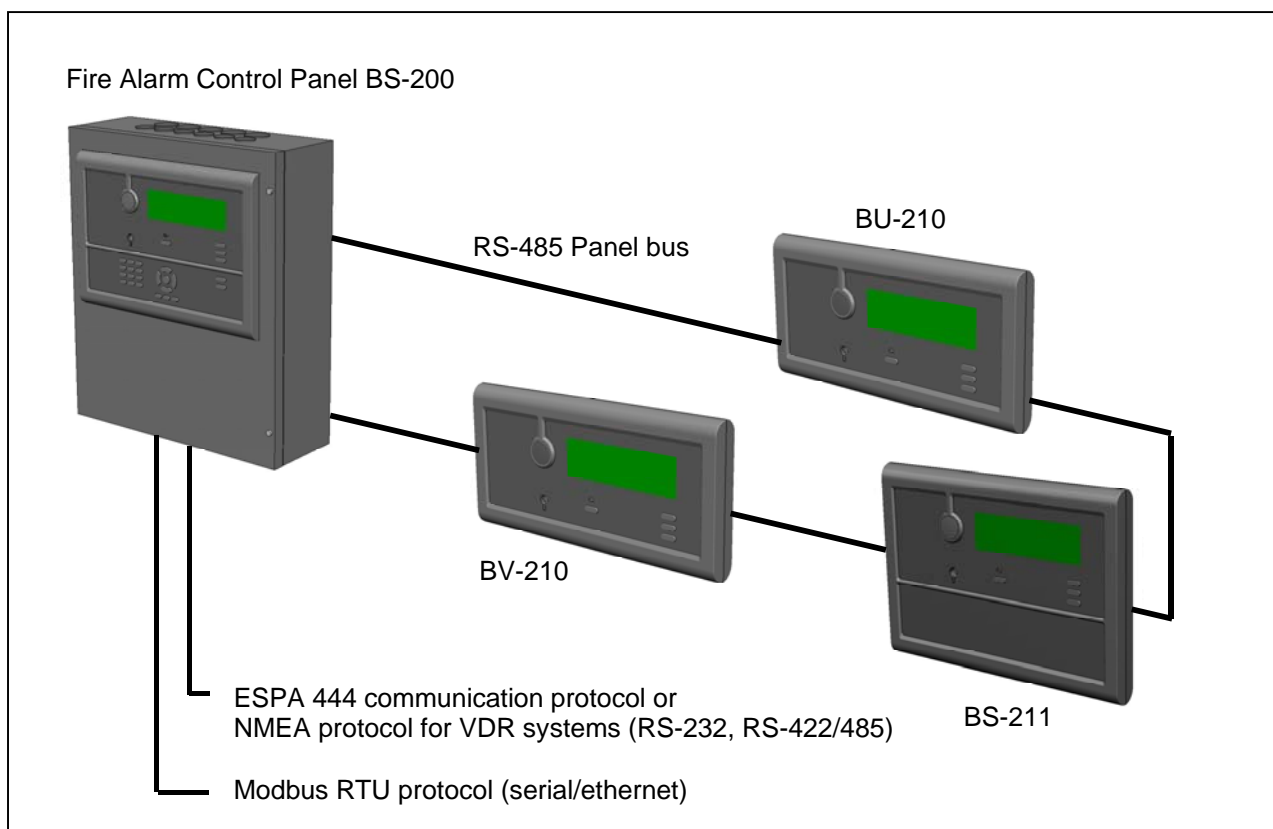
Technical specifications	
Dimensions (mm)	310 x 220 x 45
Weight	1,0 kg
Materials	ABS/PC moulded front
Mounting	Surface or rack mounting
Protection class	IEC 529 / IP32
Operating temperature	- 15 °C to + 70 °C
Humidity	0 to 95 % non-condensing
Storage temperature	- 40 °C to + 70 °C
Current consumption	20mA at 27VDC, 300mA at lamp test (start-up)
Power supply	18-30 VDC
Communication	RS-485 panel bus (redundant power bus)

Part number	Description
116-BS-211	Repeater Panel
116-UD-731	Wall mount bracket

Hole dimensions on mounting bracket



**Panels interconnected on the RS-485 panel Bus**



**AUTRONICA FIRE AND SECURITY AS**

Head office, Trondheim, NO-7483 Norway Tel: +47 73 58 25 00, fax: +47 73 58 25 01, e-mail: info@autronicafire.no  
 Oil and Gas division, Stavanger, Norway Tel: +47 51 84 09 00, fax: +47 51 84 09 99  
 Maritime division, Spikkestad, Norway Tel: +47 31 29 55 00, fax: +47 31 29 55 01

Visit Autronica Fire and Security AS' website: [www.autronicafire.com](http://www.autronicafire.com)