

Information Panel BV-210

Autroprime Interactive Fire Detection System
Product datasheet

Features

- User-friendly display and operator controls
- Back-lit operational keys. Text display suitable for night-time operation
- Surface mounting
- Designed to meet EN 54 requirements and conforms to CE standards
- Complies with environmental conditions of IEC-721-3-3 class 3k5

Application/Description

From the Information Panel BV-210 all alarm handling and system events can be monitored. The most significant events/conditions are shown in the display.

The BV-210 communicates with the Fire Alarm Control Panel BS-200, Repeater Panels BS-211, Fire Brigade panels, other Information Panels BV-210 and Mimic Driver BUR-200 on an RS-485 Panel Bus.

Indicators

- 8 x 40 character alphanumeric display
- Alarm, More Alarms, Pre-Alarm, Remote Call, Remote Call Response, Fault, Disabled Function, Supervisory Condition, Test Condition, System Fault, Power
- Internal buzzer

Operator Controls

- More Events, Mute Panel



Capacity

- A maximum of 8 additional panels (including Repeater Panels/Information Panels/Fire Brigade panels) can be connected to the Fire Alarm Control Panel via the RS-485 Panel Bus. One of them can be a Mimic Driver BUR-200.

Panel Bus Connection (connector J13 and J14)

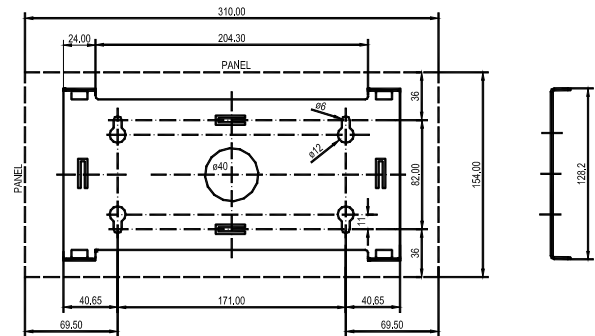
| J14 | | | | | | | J13 | | | | | | |
|--------------|--------|----------|--------|----|----|-----|---------------|--------|----------|--------|----|----|-----|
| +24V in1 | 0V in1 | +24V in2 | 0V in2 | A1 | B1 | GND | +24V in1 | 0V in1 | +24V in2 | 0V in2 | A2 | B2 | GND |
| Panel Bus In | | | | | | | Panel Bus Out | | | | | | |

Addressing the Panel

The rotary switch on the rear side of the panel (on the left side of the connector J13 and J14) is used to address the panel (1-9).

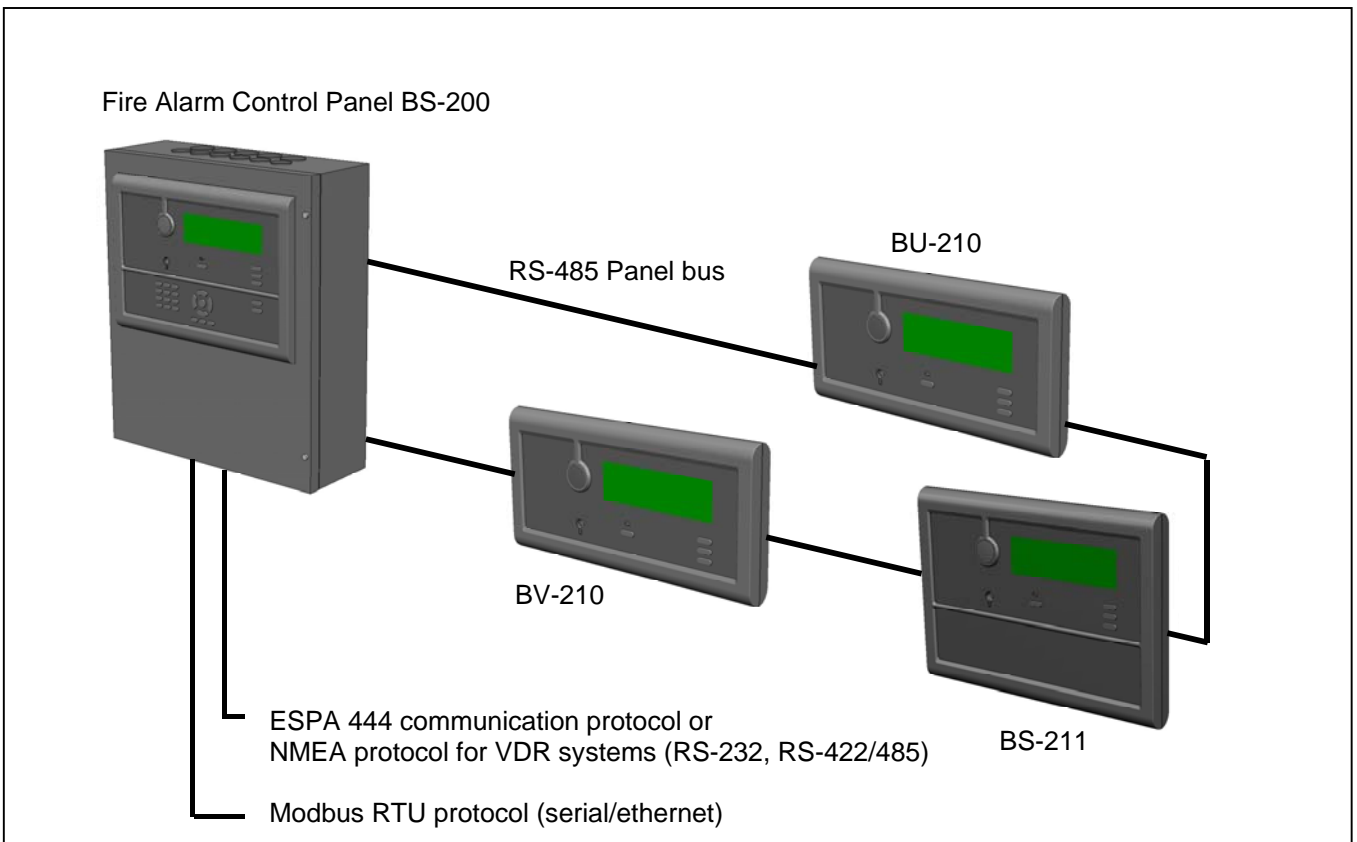
| Technical specifications | |
|--------------------------|---|
| Dimensions (mm) | 310 x 154 x 45 |
| Weight | 0,7 kg |
| Materials | ABS/PC moulded front |
| Mounting | Surface or rack mounting |
| Protection class | IEC-529 / IP32 |
| Operating temperature | - 15 °C to + 70 °C |
| Storage temperature | -40 °C to + 70 °C |
| Humidity | 0 to 95% non-condensing |
| Current consumption | 20 mA at 27 VDC, 300 mA at lamp test (start-up) |
| Power supply | 18-30 VDC |
| Communication | RS-485 Panel Bus (redundant power bus) |

Hole dimensions on mounting bracket



| Part number | Description |
|-------------|--------------------------|
| 116-BV-210 | Information Panel BV-210 |
| 116-UD-731 | Wall mount bracket |

Panels interconnected on the RS-485 Panel Bus



AUTRONICA FIRE AND SECURITY AS

Head office, Trondheim, NO-7483 Norway Tel: +47 73 58 25 00, fax: +47 73 58 25 01, e-mail: info@autronicafire.no
 Oil and Gas division, Stavanger, Norway Tel: +47 51 84 09 00, fax: +47 51 84 09 99
 Maritime division, Spikkestad, Norway Tel: +47 31 29 55 00, fax: +47 31 29 55 01

Visit Autronica Fire and Security AS' website: www.autronicafire.com